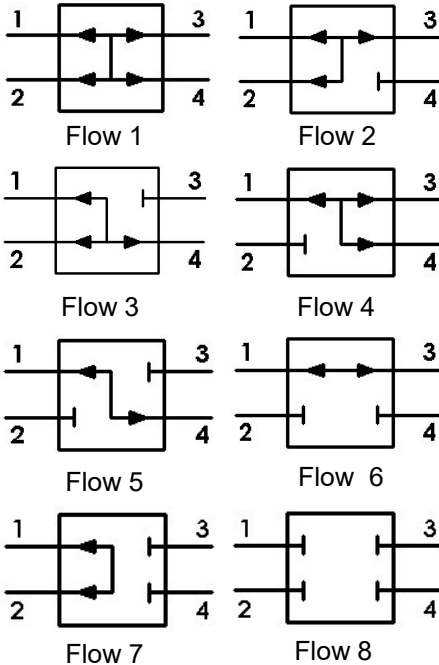


Hydraulic Cavity Plug, DCP-4

Functional Symbol:



Description:

Cavity Plugs block or allow the passage of fluids in various cavities in manifolds.

Operation:

Flow control for liquids or gas applications.

Features:

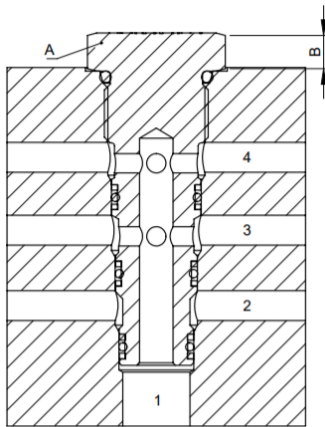
- Standard material for bodies is 316 stainless-steel .
- Standard material for O-rings is Nitrile.
- Optional seal materials are available.
- Standard material for Backup Rings is Teflon.
- Industry common cavities.

Ratings:

Operating Pressure: 5,000 PSI

Maximum Allowable Pressure at Port 2:

Operating Temperature: -35 to 121° C (-31 to 250° F) with Buna N seals; -26 to 204° C (-15 to 400° F) with Fluorocarbon seals; -57 to 121°C (70 to 250°F) with Ethylene Propylene seals; -54 to 135° C (-65 to 275° F) with Low Temp Buna N seals.



Flow Configuration 4 shown

Cavity Size	A (Hex) In/(mm)	B	Pound-Foot	(Newton-Meter)
08	0.875/(22.23)	0.32/(8.13)	40-43	(55-57)
10	1.0/(25.4)	0.375/(9.5)	43-48	(59-64)
12	1.25/ (31.75)	0.5/(12.7)	68-75	(93-101)
16	1.5/(38.1)	0.5/(12.7)	112-123	(152-166)

Ordering

DCP XX - 4 - 2 - N S316

Model Number	Cavity Size	Flow Configuration	Seals, External
DCP Cavity Plug DCP-4	08 08-4 Cavity	1 All Ports Open	N Nitrile (NBR, Buna N)
	10 10-4 Cavity	2 Flow Ports 1,2 and 3	V Fluorocarbon (FKM, Florel, Viton)
	12 12-4 Cavity	3 Flow Ports 1,2 and 4	R Ethylene Propylene (EPR, EPM, EPDM)
	16 16-4 Cavity	4 Flow Ports 1,3 and 4	W Low Temp Buna-N
			5 Flow Ports 1 to 4
		6 Flow Ports 1 to 3	
		7 Flow Ports 1 to 2	
		8 All Ports Blocked	