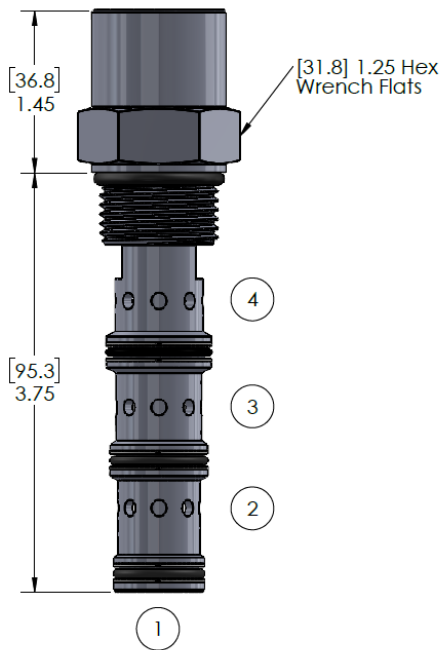
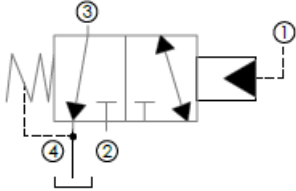


DIPV Internal Pilot Hydraulic Cartridge

Functional Symbol:



Description:

A screw-in, spool type, pilot operated, cartridge directional valve. For use as a directional control device.

Operation:

The valve allows flow passage from port 3 to port 4 in the neutral position, while port 2 is blocked. Pilot signal at port 1 shifts the valve and allows flow from port 2 to port 3, and blocks flow to port 4. Since port 4 is common to spring chamber, pressure on port 4 will directly affect the pilot pressure required on a 1:1 basis. 45-50 PSI spring bias with closed transition.

Features:

Hardened spool and cage for long life and low leakage.
 Optional sealed spool design

Ratings:

Operating Pressure: 3,500 PSI (241 bar)
 Operating Temperature: -40 to 250°f (-40 to 120°c)

Technical:

| Cavity Size | Wrench Hex Size Inch, (MM) | Leak Rate | Flow Ratings | Thread Size | Installation Torque Ft-lbs (Nm) |
|-------------|-------------------------------|--------------------------------------|--------------------|-------------|---------------------------------------|
| VC12-4 | 1.25 [31.8] | 15 in ³ /min [245 cc/min] | 30 GPM [113.6 lpm] | 1-1/6-12 UN | 35 (47.4) |