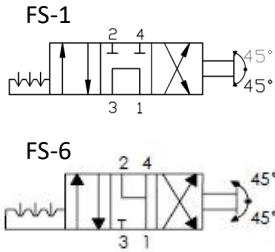


# 4-Way Rotary Directional Control Hydraulic Cartridge Valve

## Functional Symbol



## Description:

The 4-Way Rotary Directional Control Cartridge valve is suited for all 4-way hydraulic circuit applications where manual operation is desired.

## Operation:

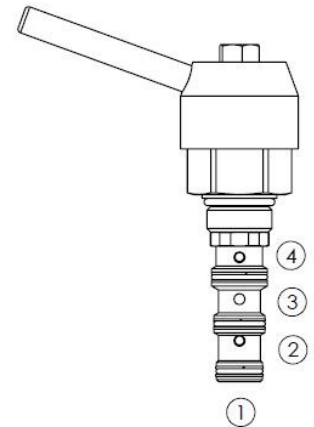
All 3-position options require 45° rotation from center to either offset position. The standard handle can be adjusted to any position.

## Features:

- Several actuator options.
- Detent options.
- Compact size for minimal space requirements.
- Industry standard cavity.

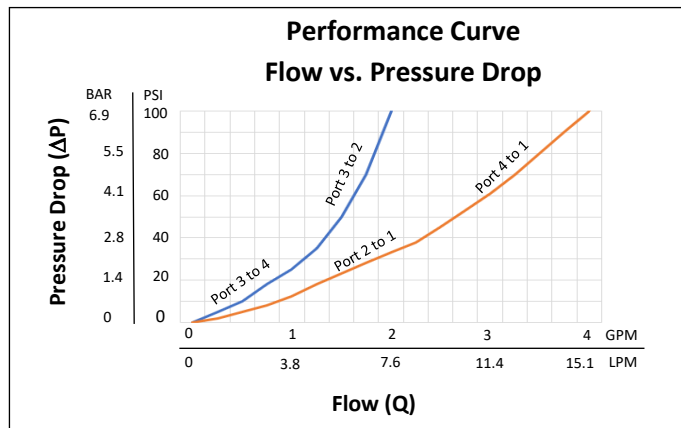
## Ratings:

Nominal Rated Flow: 2 GPM (7.5 lpm)  
 Operating Pressure: 3,500 PSI (241 bar)  
 Operating Temperature: -31 to 250°f (-35 to 121°c)  
 Leak Rate: Less than 164cc (10in<sup>3</sup>) per minute  
 Approx. Weight: .5 lbs. (0.23 kg)



Seal Replacement Kits, External:	
SRK-08-4N	Buna-N
SRK-08-4V	Flurocarbon (Viton)
SRK-10-4N	Buna-N
SRK-10-4V	Flurocarbon (Viton)
SRK-16-4N	Buna-N
SRK-16-4V	Flurocarbon (Viton)

Note: Alternate materials available, contact Doering.



## Ordering Information:

Model	Cavity	Spool Function	Control	Seal Material	Material Coating
DMRE	08 8-4 Cavity	0 FS-0	Blank Standard Handle	Blank	Blank Plated Steel
	10 10-4 Cavity	1 FS-1	K Hand Knob	V Viton	SS Stainless Steel
	16 16-4 Cavity	2 FS-2	H Hand Ball	E EPDM	SS316 316 SST
		3 FS-3		W Low Temp Buna-N	
		4 FS-4			
		5 FS-5			
		6 Float Spool, 3 Position, Detent			
		7 FS-7			