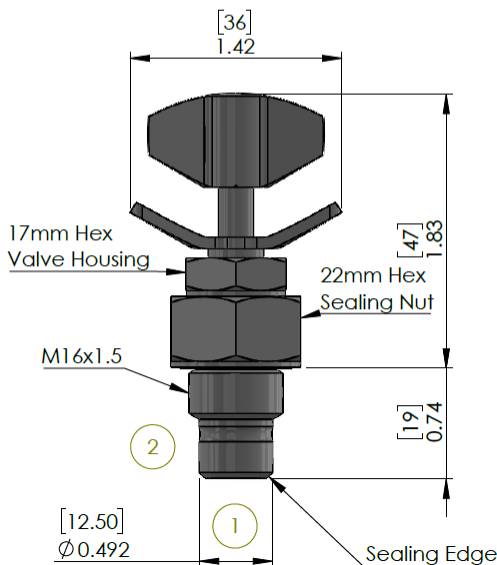
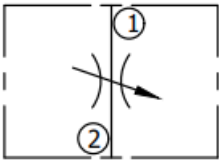


DNV-4210 Needle/Release Valve Hydraulic Cartridge

Functional Symbol:



Description:

A screw-in, cartridge throttle and shut off valve. Close with clockwise rotation of hand knob. Open with counterclockwise rotation of hand knob.

Operation:

Needle/Release valve will control the flow rate in control circuits and can regulate or completely shut-off flow in the circuit.

Features:

Steel nitride valve housing, zinc sealing nuts.

Hardened seat for long life and low leakage.

Ratings:

Operating Pressure: 8,000 psi (552 bar)

Flow Ratings: 8 gpm (30 lpm)

Operating Temperature: -40 to 250°f (-40 to 120°c)

Leak Rate: Zero-Leak when completely closed.

Installation Torque: Valve Housing 30 lbf-ft (40 Nm), Sealing Nut 26 lbf-ft.(35 Nm)

Cavity: C-4210

Orientation restrictions: None