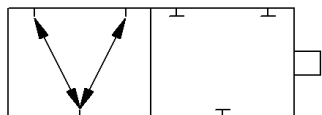
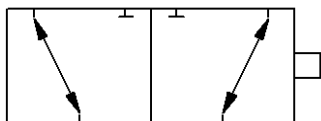


MSL- Selector Hydraulic Valve 3 Way

Functional Symbol:



Single Selector float



Single Selector Standard



Description:

The Metro MSL Selector Valve with the standard spool may be used as an open or closed three way valve where flow is directed to an actuator i.e., single-acting cylinder in one position or flow from the actuator is allowed to return to tank, in the other position.

This valve may also be used as a three way valve where inlet flow is directed to either of the two ports.

Operation:

The standard spool has an open crossover so, as the spool is being shifted, one outlet port begins to close and the other outlet port begins to open.

A closed crossover spool, as the spool is being shifted, flow is not allowed to crossover between outlet ports because flow is closed to the outlet ports for a moment while shifting.

An float spool where all ports are either open to each other or closed to each other. This option is designed to allow cylinders to float or motors to freewheel in such equipment as snowplows, combine headers, mower attachments, etc.

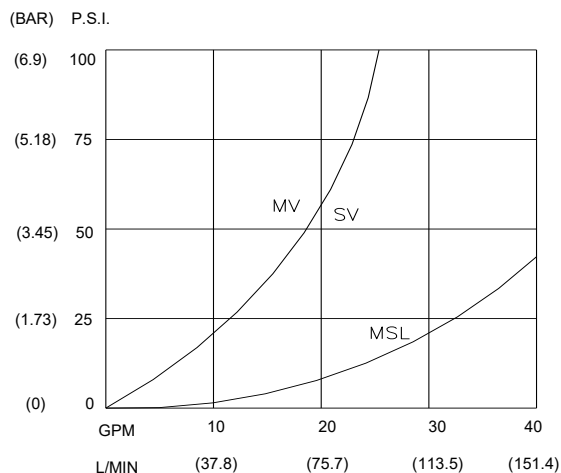
Features:

- Easy to Mount
- Chrome Plated Spool, for long life
- High-Tensile Cast Iron Body
- Knob/ handle/ Pilot Options

Specification:

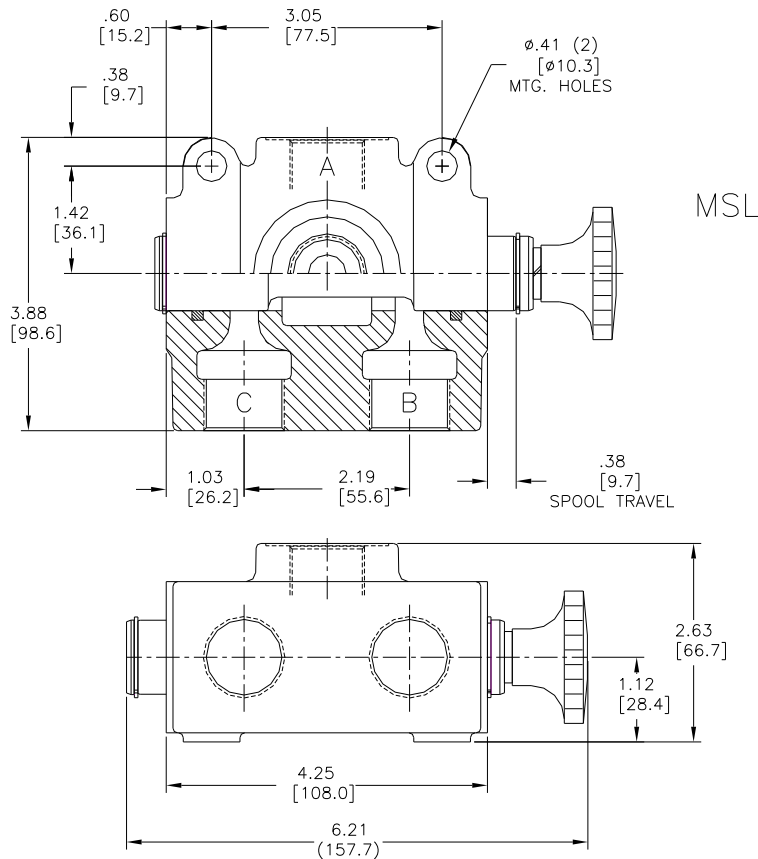
Flow Capacity	Pressure Rating	Temperature Range	Weight
40 GPM 75 (L/MIN)	3000 PSI (207 Bar)	-22° to + 194° F -30° to + 90° C	7 LBS. 8 OZ. 3. 40 KG.

PRESSURE DROP CHARACTERISTICS



MSL- Selector Hydraulic Valve 3 Way

Technical:



Installation Examples:

[Hydraulic Circuit- Selector Valve w Optional Float Spool](#)

Ordering Instructions:

MSL 08 - P 50 SR OP ZP

Model Number	Port Size	Spool Type Options	Spool Actuator	Spool Return Options	"A" Port Location	Finish Options
MSL	04 1/2" - 14 NPT	Blank Standard Spool	Blank Black Plastic Knob	Blank None	Blank Top of valve	Blank Plain Casting
	05 3/4"-14 NPT	F Float Spool	25 Alum Handle	SR Spring Return (100psi)	OP Opposing Ports (Side of valve)	ZP Zinc Plated
	06 1" NPT		30LA Handle Kit/ standard	SRHD Spring Return HD (200psi)		
	08 #8 SAE, 3/4" - 16		30LAR Handle Kit/ standard, Reverse	SRHU Spring Return Heavy Usage (1200psi to shift)		
	10 #10 SAE, 7/8"-14		30SL Handle Kit/ standard, Orientation Down	SRSP Spring Return w Drain Port		
	12 #12 SAE, 1 1/16"-12		37 Handle w bar link 10.5"	SRSC Spring Return, Cam Roller		
	16 #16 SAE, 1 5/16"-12		37R Handle w bar link 10.5", Reverse			
			40 Clevis			
			50 Hydraulic Pilot			
			55 Eye Bolt Actuator			
		55EB Elevator Bolt Actuator				
		60 High Pressure Hyd Pilot				
		85 Air Pilot				