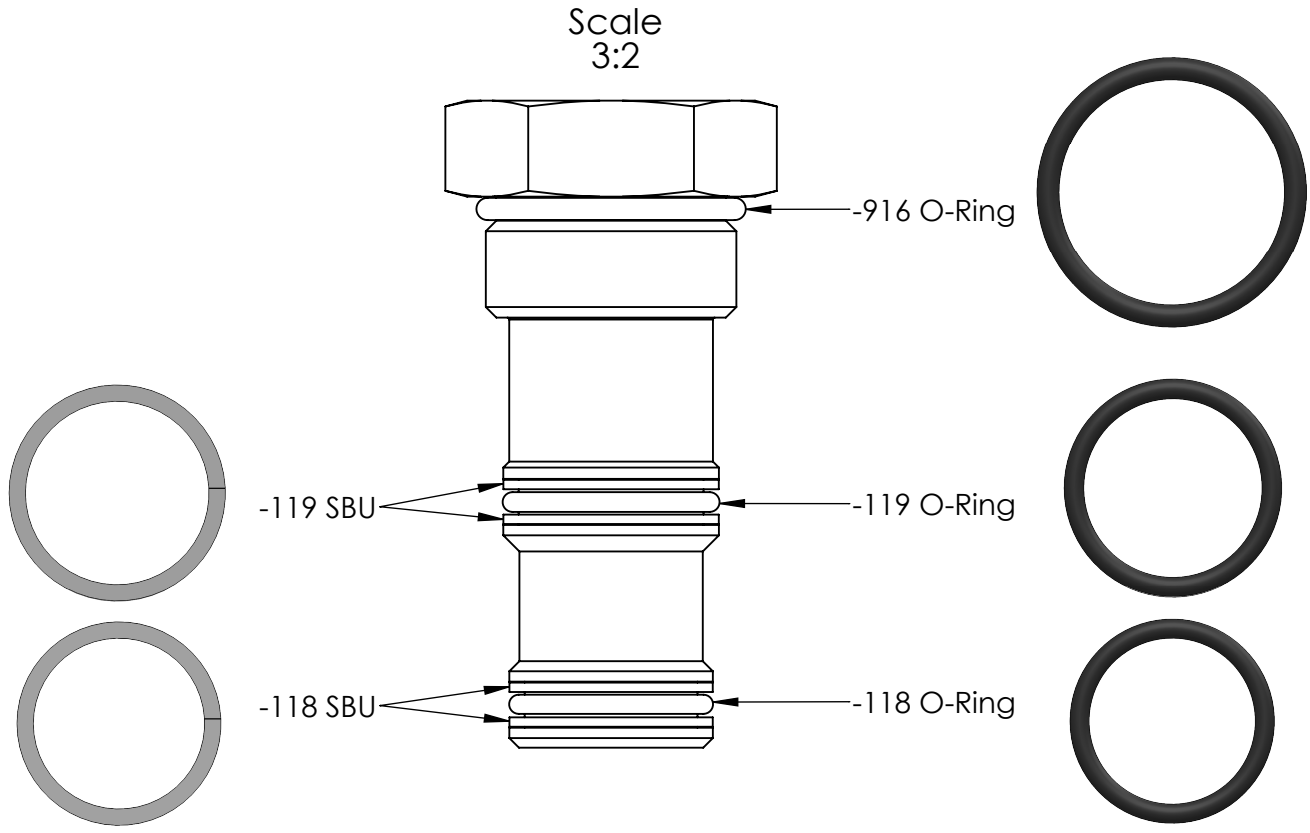



| Part Number      | Description | -118 O-Ring<br>(Qty 1) | -118 SBU<br>(Qty 2) | -119 O-Ring<br>(Qty 1) | -119 SBU<br>(Qty 2) | -916 O-Ring<br>(Qty 1) |
|------------------|-------------|------------------------|---------------------|------------------------|---------------------|------------------------|
| <b>SRK-16-3N</b> | Buna        | 1201465                | 1201466             | 1200354                | 1201612             | 1201616                |
| <b>SRK-16-3V</b> | Viton       | 1201566                | 1201466             | 1203723                | 1201612             | 1203724                |



O-Rings and Back up Rings are actual size

|  |       |            |   |      |        |          |     |
|--|-------|------------|---|------|--------|----------|-----|
| CREATED  | DN029 | 04/29/2019 | <br>PN: See table above<br>Description: Seal Kit 16-3 Cavity |      |        |          |     |
| CHECKED  |       |            |   |      |        |          |     |
| ENGINEERED   |       |            |   |      |        |          |     |
| DRAWN  | DN029 | 05/21/2019 |   |      |        |          |     |
| <small>THIS DOCUMENT AND THE DATA DISCLOSED<br/>HEREIN OR HEREWITH IS NOT TO BE<br/>REPRODUCED, USED OR DISCLOSED IN WITHOUT<br/>THE WRITTEN PERMISSION OF DOERING COMPANY</small> |       |            | SCALE   | SIZE | SHEET  | DWG. NO. | REV |
|  |       |            | 1:1   | A    | 1 OF 1 | SRK-16-3 | 01  |