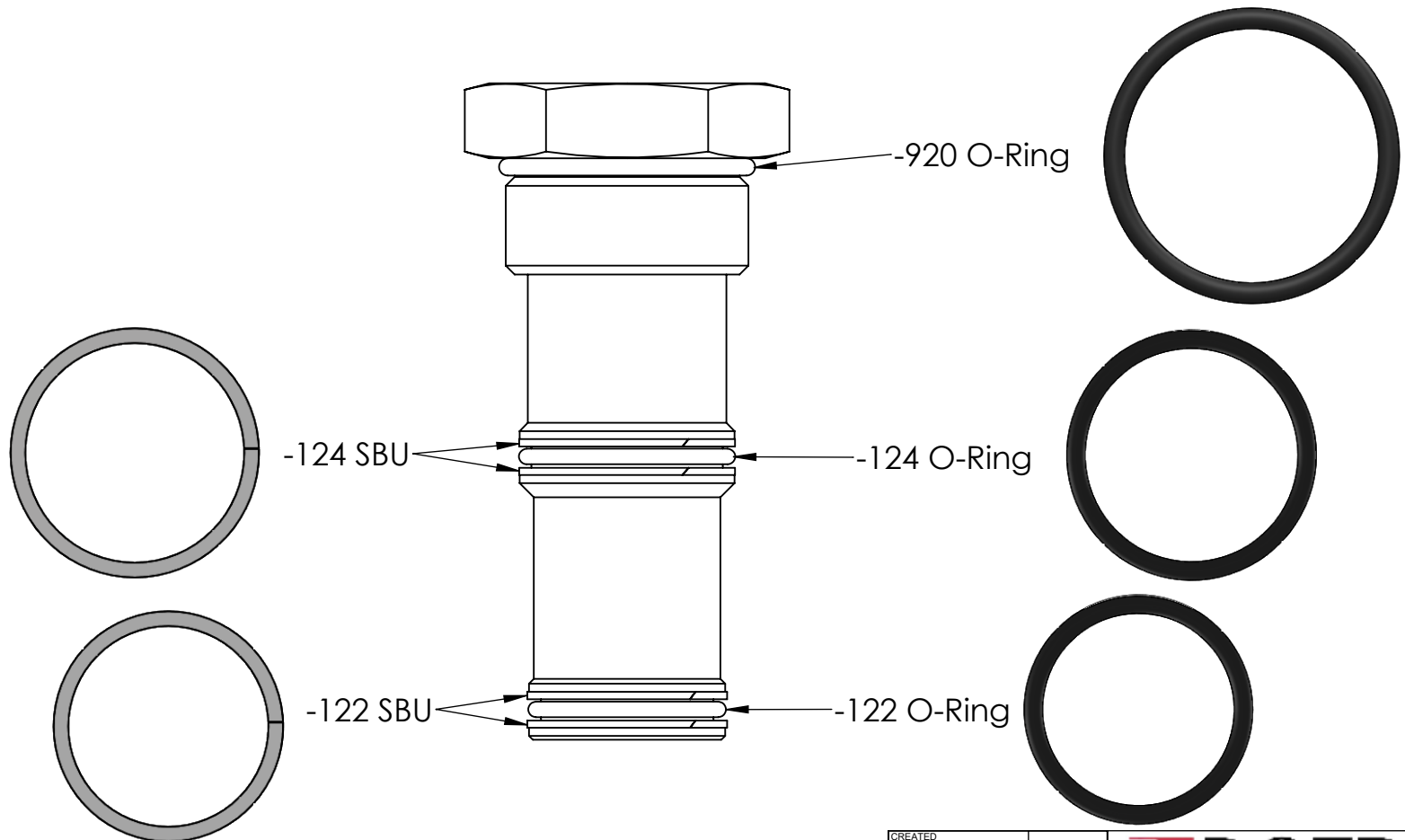



Part Number	Description	-122 O-Ring (Qty 1)	-122 SBU (Qty 2)	-124 O-Ring (Qty 1)	-124 SBU (Qty 2)	-920 O-Ring (Qty1)
SRK-20-3N	Buna	1200854	1201262	1201264	1201265	120962
SRK-20-3V	Viton	1203983	1201262	1203984	1201265	1203985
SRK-20-3R	EPR (EPDM)	1203986	1201262	1203987	1201265	1203988



O-Rings and Back Up Rings are actual size

CREATED	TH36	3/11/2021	 PN: See Table Above Description: Seal Kit 20-3 Cavity				
CHECKED							
ENGINEERED							
DRAWN	TH36	3/11/2021					
<small>THIS DOCUMENT AND THE DATA DISCLOSED HEREIN OR HEREWITH IS NOT TO BE REPRODUCED, USED OR DISCLOSED IN WITHOUT THE WRITTEN PERMISSION OF DOERING COMPANY</small>			SCALE	SIZE	SHEET	DWG. NO.	REV
			1:1	A	1 OF 1	SRK-20-3	01